

**ERARD®**

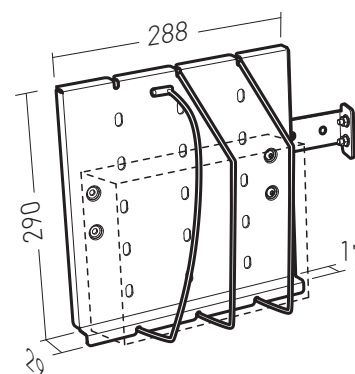
ACCESSOIRES ESSENTIELS POUR MATÉRIEL AUDIO-VIDÉO

## BOX-UP

Réf. 038401 - EAN : 3185280384013

### Peripheral holder for the rear of the screen

- Steel base; black or white epoxy painting.
  - Mast diameter 60 mm ; Chromium epoxy painting.
  - Incorporated cable management in the mast.
  - Screen swivel +/-20° and tilt +/-10°.
  - Screen height adjustment on 475 mm.
  - Tilting, swivelling and reversible head.
  - New design of the base to be placed as close as possible to the wall.
  - Possibility to install the screen in portrait mode (option).
- Peripheral holder positioned on the rear side of the column (Lux-Up, Lux-Up T and WILL).
  - Installation with two screws.
  - Steel structure, black epoxy painting.
  - Peripheral is held in place thanks to 3 elastic cords.
  - Reversible right / left.
  - Dimensions (height x width x thickness) : 290 x 288 x 31 mm.



Color	Black
Finition	Epoxy painting
Materials	Steel
Mounting time	5 minutes
Person(s) for mounting	1 person