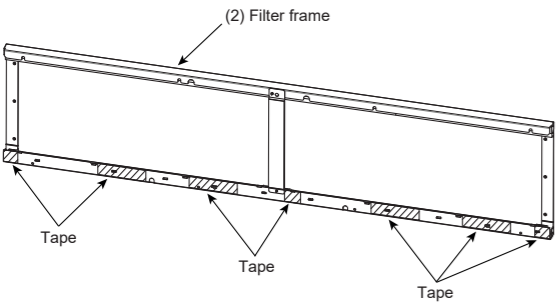
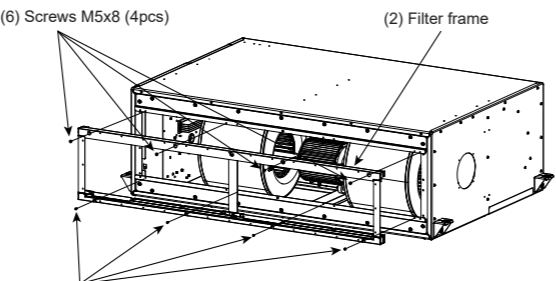
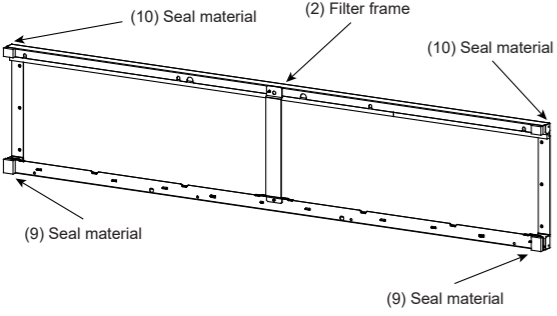
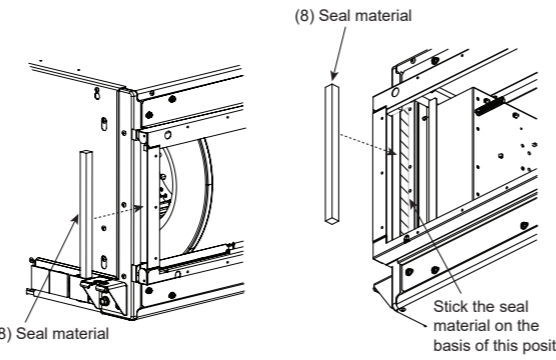
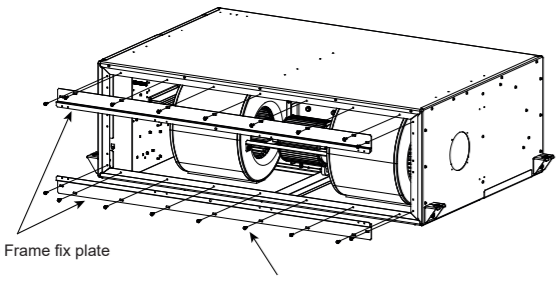
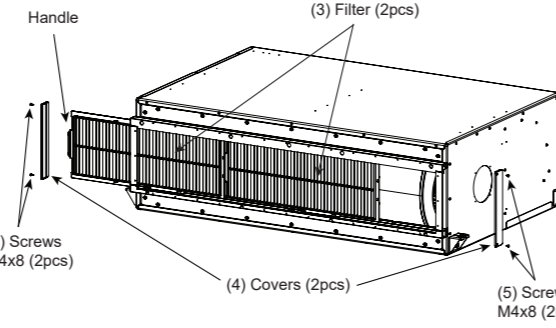


3. How to install

<p>1. Peel off the tape fixing the filter rail. And check if the claw of the filter rail is not taken off.</p> 	<p>4. Install (2) Filter frame.</p>  <p>(5) Screws M4x8 (4pcs)</p> <p>The filter frame gets one having black mold parts (filter rail) in the lower direction at the time of the installation of indoor unit.</p>
<p>2. Install (9) (10) Seal material. Fit the seal material to the corner and paste it.</p> 	<p>5. Install (8) Seal material.</p>  <p>Stick the seal material on the basis of this position.</p>
<p>3. Install (1) Frame fix plate.</p>  <p>(7) Screws M5x16 (18pcs) Tighten this screw temporarily. After attaching the filter frame, tighten it completely.</p>	<p>6. Install (3) Filter and (4) Cover.</p>  <p>For the filter direction, the insertion direction is the handle side as the above picture. Please confirm that two pieces of filters are connected. Please attach the cover with both side.</p>

NOTE

- When you use too long screws at attach a suction duct (local procured), you can not remove the filters by attack the screws.
- Be sure to check if the filter can be attached and removed after the attachment.

4. External Pressure Loss Characteristic

When you use these “Long life filter Kit”, pressure-loss characteristics depends on Air Flow.

