

TOSHIBA INSTALLATION MANUAL

To Personnel Charged in Installation Work and Service
Connection Interface Kit
Model: TCB-PX40MUME

- Thank you for purchasing Connection Interface Kit for TOSHIBA air conditioners.
- **Before starting installation work, please read this Installation Manual and Installation Manual of TCB-PCNT30TLE2 and install the product properly.**
(For Compact 4-Way Air Discharge Cassette type model only)

- **This Connection Interface Kit is a box that is used only for the purpose of installing the TCB-PCNT30TLE2 (“1:1 model” connection interface) on the Air Conditioner indoor unit (RAV-SM***7MUT*, RAV-RM***MUT*, RAV-HM***MUT*).**

Precautions for safety

- Before installation work, read this “Precautions for safety” thoroughly.
- Strictly keep the following items in mind because they describe the serious contents concerned with safety.
- After the installation work has been completed, perform a trial operation to check for a possible problem. Following the Owner’s manual, explain to the customers how to use the air conditioner.

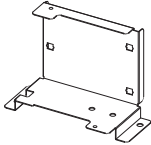
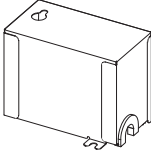


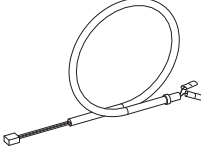
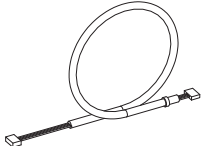

⚠ WARNING

- Carry out an installation work surely according to **TCB-PCNT30TLE2** and this installation manual. Inappropriate installation may result in water leakage, electric shock or fire, etc.
- A person qualified in the electric work should execute the electric works according to the Installation Manual and should use the personal circuits. The voltage shall be matched with the rated voltage of the product.
- Never modify or repair the product by yourself. Incomplete modification or repair may result in an electric shock or fire.

Installation procedure

Refer to “1:1 model” connection interface Installation Manual (TCB-PCNT30TLE2) for the installation method.

Accessories

No.	Part Name	Q'ty	Shape
1	Connection Interface Kit	1	
2	Connection Interface Kit Cover	1	
3	Wire Clamp A	2	
4	Wire Clamp B	1	
5	Relay Wire (C)	1	
6	Relay Wire (D)	1	
7	Screw (M4 x 8)	4	
8	Installation Manual	1	-