

TOSHIBA INSTALLATION MANUAL

Ceiling panel (For 4-Way Cassette type)

Model name : RBC-U33P-E



Scan QR CODE to access installation and owner's manual on website.

<https://www.toshiba-carrier.co.th/manuals/default.aspx>

Manual are available in BG/CS/DA/DE/EL/EN/ES/ET/FI/FR/HR/HU/IT/LV/NL/NO/PL/PT/RO/RU/SK/SL/SV/TR/ZH.

Precautions for safety

- The product and this manual are provided with important safety notices to ensure safe use and protect the user and other people from hazards and preclude damage to property.
- Be sure that you fully understand the following contents (expressions and graphic symbols) and read this manual carefully.
- Always observe the precautions.

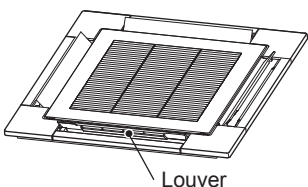
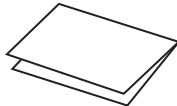
WARNING

- **Ask an authorized dealer or qualified installation professional to install the ceiling panel.**
Inappropriate installation may result in water leakage, electric shock or fire if you install it by yourself.
- **Carry out an installation work securely according to this Installation Manual.**
Inappropriate installation may result in water leakage, electric shock or fire.
- **Attach the ceiling panel on a ceiling that withstands the weight of the ceiling panel.**
Insufficient strength may cause a fall of the unit, which may result in injury.
- **Electrical work must be performed by a qualified electrician in accordance with the Installation Manual. Make sure the air conditioner uses an exclusive power supply.**
The capacity shortage of the power circuit or improper electrical work may result in electric shock or fire.
- **Connect the specified wires firmly and clamp them securely so that external force applied to the wires does not affect the connector pins.**
Improper wire connection or clamping may result in fire or malfunction.
- **Be sure to connect earth wire. (grounding work)**
Do not connect the earth wire to a gas pipe, water pipe, lightning conductor, or a telephone earth wire.
Incomplete earthing may result in electric shock.
- **Never modify or repair the product.**
Incomplete modification or repair may result in electric shock or fire.

CAUTION

- **Wear heavy work gloves during the installation work to avoid injury.**

Components

Part name	Ceiling panel	Installation Manual
Quantity	1	1
Shape		 This manual

REQUIREMENT

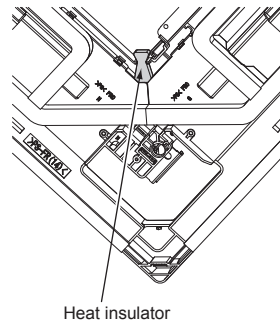
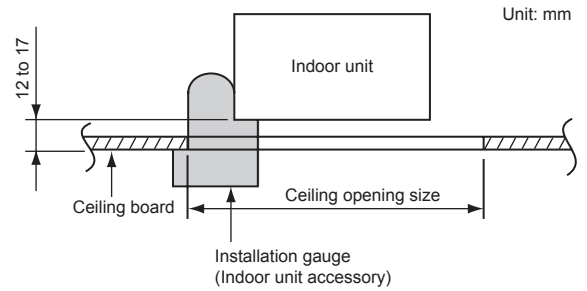
Do not apply excessive force to the louver, as it may cause a malfunction.

1. Preparation Before Installing the Ceiling Panel

■ Position check of indoor unit

1. Confirm the position of the indoor unit according to the Installation Manual.
2. Check whether size of the ceiling opening hole is in the following range or not.
860 mm × 860 mm to 910 mm × 910 mm.
3. Using the installation gauge which is attached to the indoor unit package, determine position of the indoor unit against the ceiling surface. If the position of the indoor unit is not correct, air leak, water leak (dewing) or malfunction of the louver is caused.
 - Do not put the ceiling panel downward, lean it or leave it on a projection to avoid a damage on the surface of the ceiling panel.
 - Handle with care so as not to deform the tentative hanging hooks attached to the rear side of the ceiling panel.
 - Do not apply excessive force on the louver or the styrofoam on the air outlet while hanging it tentatively to the indoor unit. (It may causes a trouble on the louver.)

Be sure to adjust the position between the indoor unit and the hanging-up height (12 mm to 17 mm).
Failure to do so cause the malfunction or other damages.



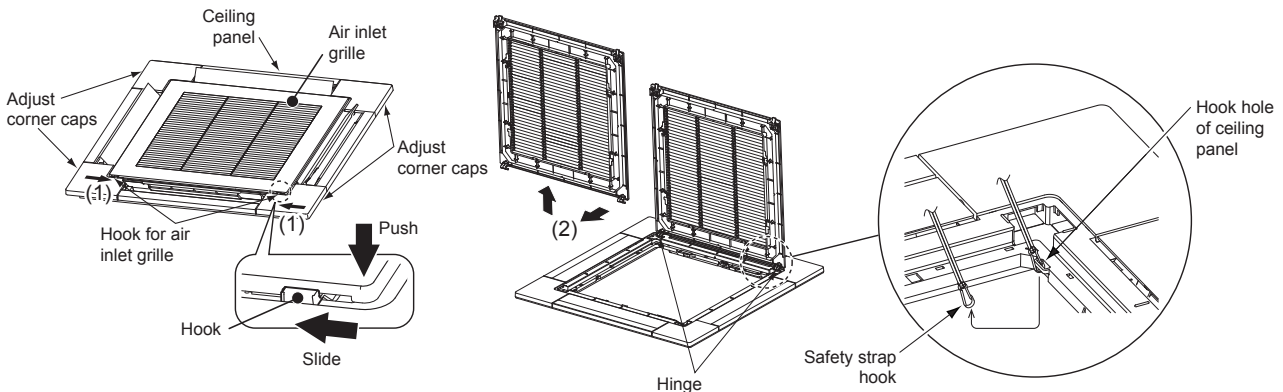
⚠ CAUTION

Do not remove the heat insulators.
 A heat insulator on the corner of rear side of the panel are for dew protection. Do not remove the heat insulators because removing them causes dew drop or water leakage.

2. Installation to Indoor Unit

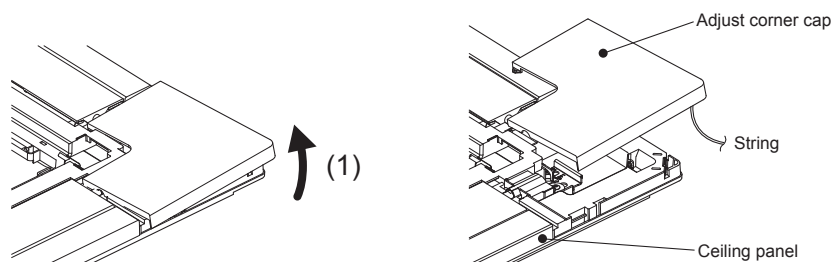
■ Removal of air inlet grille

1. Pushing the corner on the air inlet grille, slide the hook in the direction of the arrow mark (1) and slowly open the grille.
2. Release the safety strap hook from the ceiling panel.
 - **Do not remove the safety strap screw on the air inlet grille side.**
3. Remove the hinge section of the air inlet grille from the ceiling panel in the direction of the arrow mark (2) while the air inlet grille is opened.



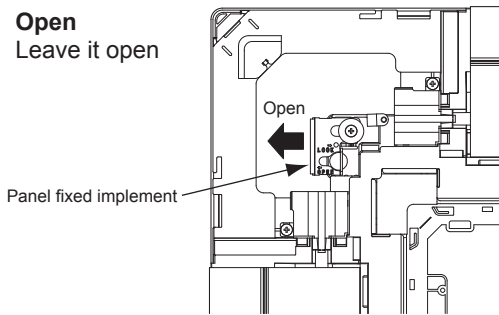
■ Removal of adjust corner caps

1. Lift the corner of the adjust corner cap toward direction of the arrow mark (1) and then remove all four corners.

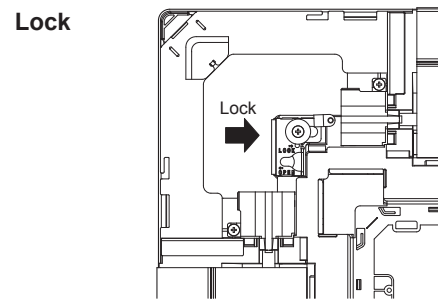


■ Positioning of the panel fixed implement

1. After removing the adjust corner cap, check that the panel fixed implement (bracket) remains open as shown in (Fig. 1).
2. Slide the bracket to remain it open because the ceiling panel can not be installed in the indoor unit if the bracket is locked (Fig. 2).



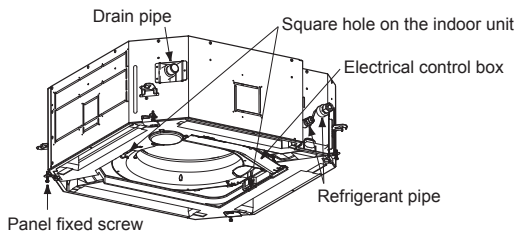
(Fig. 1)



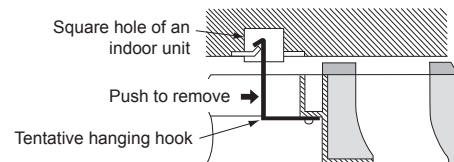
(Fig. 2)

■ Installation of ceiling panel

1. Insert the two tentative hanging hooks of the ceiling panel into the square holes in the indoor unit. (Fig. 3, Fig. 4)
 - The ceiling panel aligns directionally with the indoor unit. Check that the lead wires of louver motor connector are on the Electrical control box side.
 - When removing the ceiling panel, push the tentative hanging hooks toward the outside while supporting the panel.

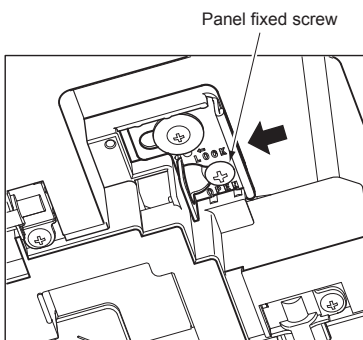


(Fig. 3)



(Fig. 4)

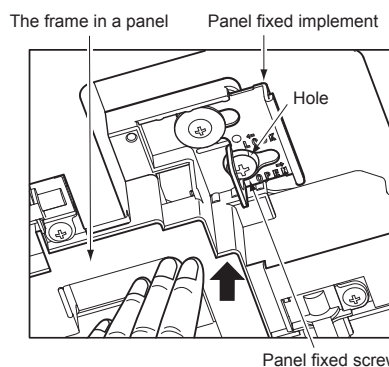
2. Lift the corner of the frame in a panel (Fig. 5), slide the panel fixed implement (bracket) in the direction of the arrow so that the panel fixed screw head comes to the specified position on the bracket (Fig. 6). Do the same for all four corners.
 - Slide the bracket so that the screw head comes under the bracket.
 - Panel fixed screws are attached to the indoor unit before shipment.
3. Confirm there are no gaps between the indoor unit and ceiling panel or the ceiling panel and ceiling surface. (Fig. 7)



Push the bracket securely.

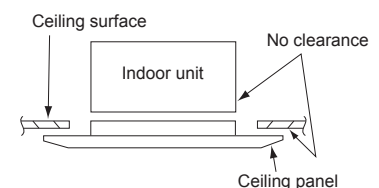
- Slide the bracket after loosening the panel fixed screw so that the bracket is easy to be hooked on the screw head.
- Tighten the panel fixed screw again after sliding the bracket.

(Fig. 5)



Lift the corner of the frame in a panel so that the panel fixed screw head comes up.

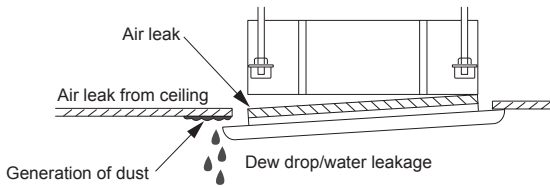
(Fig. 6)



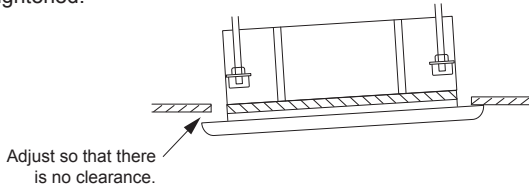
(Fig. 7)

⚠ CAUTION

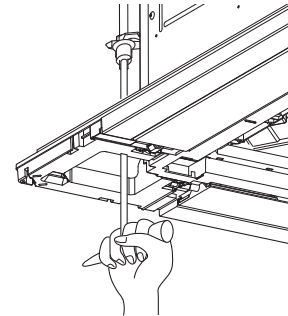
- As shown in the following figure, a trouble may be caused if the screws are incompletely tightened.



- When a clearance is found between the ceiling surface and the ceiling panel, readjust height of the indoor unit even if the screws have been tightened.



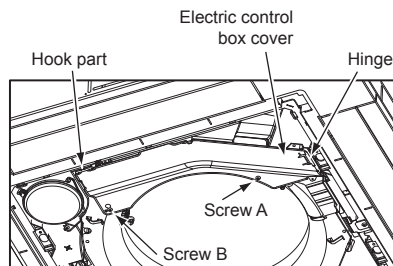
- The height of the indoor unit with ceiling panel can be adjusted through the hole in the ceiling panel corner if doing so does not affect the horizontal level and drain pipe of the indoor unit.



Tighten the fixed nut securely after the adjustment.

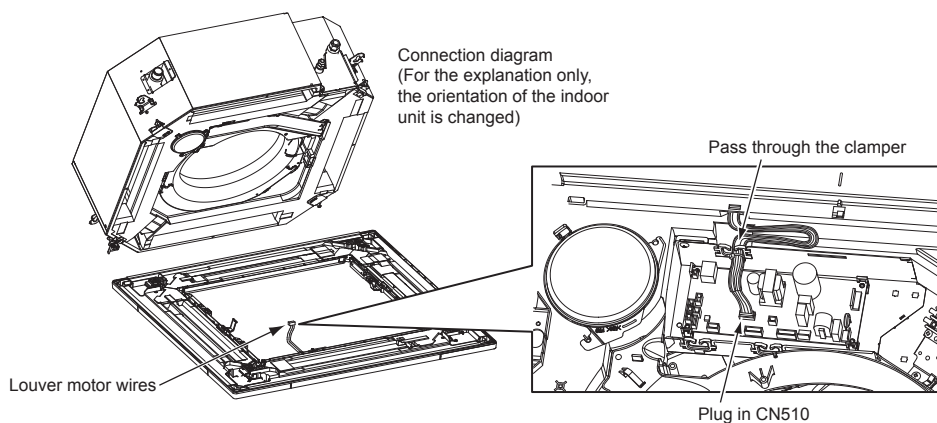
■ Wiring of ceiling panel

- Remove screw A for the fixation of the electrical control box cover and loosen the screw B. Slide the cover inside so that the hook part can be removed (The electrical control box cover remain being hooked on the hinge).



- Pass the louver motor wire from the ceiling panel through the clammer as shown in figure, then connect them to the 20P-connector. (CN510: White) on the P.C. Board of the indoor unit.

- Check the cables are connected surely.**
- Incomplete connection causes such a trouble as the louver does not work.**

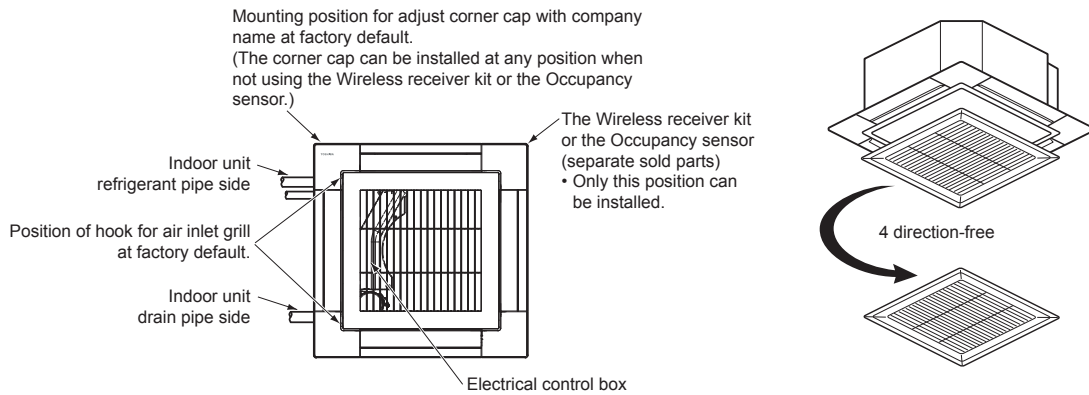


Pass the wires through the clammer as shown in figure

- Install the electrical control box cover in the reverse procedure of its opening process.
 - Take care not to catch the wires between electrical control box and its cover, or between the indoor unit and the ceiling panel.**

■ Installation of adjust corner caps / air inlet grille

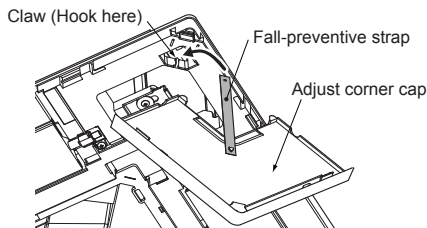
- This ceiling panel can be installed from anyway of 4 directions by turning the air inlet grille. Change the direction as shown in figure on the customer's demand for a company name on the corner cap or according to the direction matching of the air inlet grille when multiple units are installed.
- Be sure to install the Wireless receiver kit (separate sold parts) or the Occupancy sensor (separate sold parts) in correct orientation, since the Wireless receiver kit or Occupancy sensor can be installed at only one diagonal corner of the drain pipe. Failure to do so cause the malfunction.



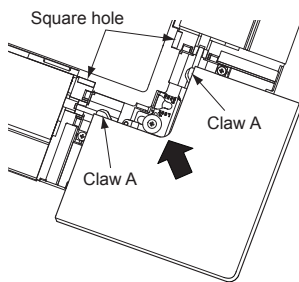
Installation of adjust corner caps

Push claw A (two positions) and claw B (three positions) into the holes, check that none of the claws are out of alignment. Failure to securely fit those claws into the holes cause water leakage.

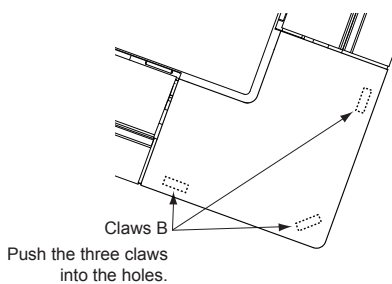
1. Hook the fall-preventive strap for adjust corner cap on the ceiling panel claw securely.



2. Insert two claws A on the adjust corner cap into the square holes of the ceiling panel in the arrow direction.

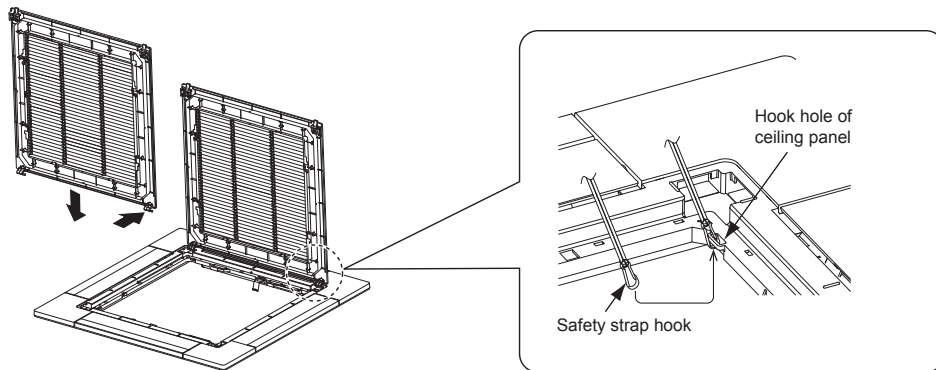


3. Align the three claws B on the back of the adjust corner cap with the holes on the corners of the panel and push them into the holes.



Installation of air inlet grille

- Install the air inlet grille in the reverse procedure of the removal.
- Be sure not to pinch the louver motor wiring to install the air inlet grille.
- Attach a strap to prevent falling of the air inlet grille to the ceiling panel.



3. Louver operation set up

REQUIREMENT

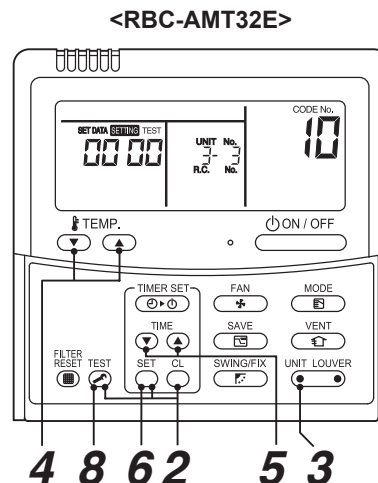
- Use the wired remote controller to change the setting.
- The setting cannot be changed using the wireless remote controller, sub remote controller, or remote-controller-less system (for central remote controller only). Therefore, installs the wired remote controller to change the settings.

CAUTION

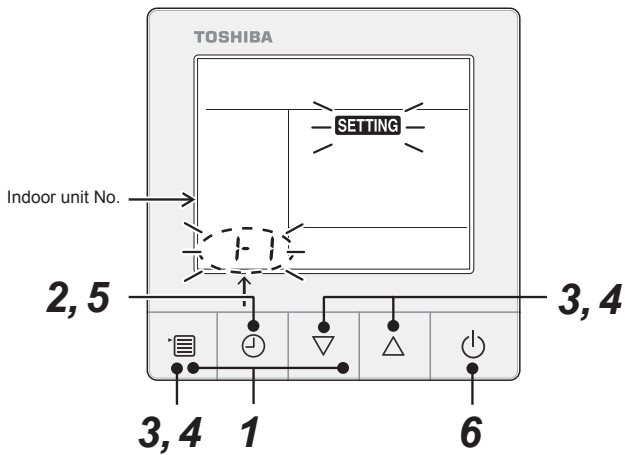
Set only the CODE No. shown in the following table: DO NOT set any other CODE No.
If a CODE No. not listed is set, it may not be possible to operate the air conditioner or other trouble with the product may result.

1. Turn the power on.
2. Push and hold **TEST** + **SET** + **CL** buttons simultaneously for 4 seconds or more. After a while the display flashes. Confirm that CODE No. is [10]. Also, the fan of the selected unit runs and the louvers start swing.
 - If the CODE No. is not [10], push **TEST** button to clear the display content, and repeat the procedure from the beginning.
3. Select an indoor unit to be set by pushing **UNIT LOUVER** button (Left side of the button). Indoor unit No. changes each time the button is pushed.
4. Change the CODE No. to [47] with **TEMP.** buttons.
5. Set the (SET DATA) like as the following table with **TIME** buttons.
6. Push **SET** button. The display state changes from flashing to lighting, and the setting is fixed.
7. Continue set the CODE No. [48] ~ [4E] like as the table with repeat procedure (4) - (6).
 - To change setting of another indoor unit, repeat from procedure (3).
8. When settings have been complete, push **TEST** button to determine the settings.
 - When **TEST** button is pushed, **SETTING** flashes and then the display content disappears and the air conditioner enters the normal stop mode. (While **SETTING** is flashing, no operation of the remote controller is accepted.)

CODE No.	SET DATA
47	0024
48	0024
49	0030
4A	0035
4B	0040
4C	0043
4D	0046
4E	0060

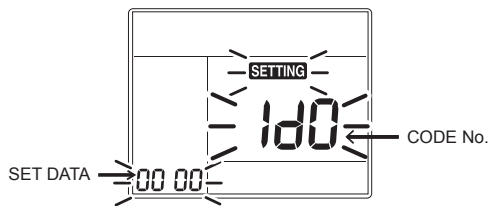


■ RBC-ASCU11*

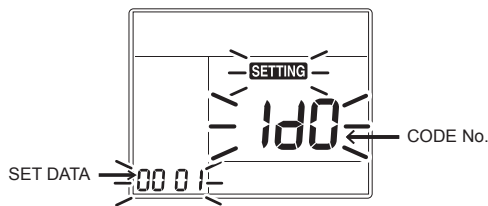


Operation procedure

- 1 Push and hold menu button and [▽] setting button simultaneously for 10 seconds or more.**
 - After a while, the display flashes as shown in the figure. “ALL” is displayed as indoor unit numbers during initial communication immediately after the power has been turned on.
- 2 Push OFF timer button to confirm the selected indoor unit.**



- 3 Push the menu button to make CODE No. [**] flash.**
Change CODE No. into [1d0] with [▽] [△] setting button.
- 4 Push the menu button to make SET DATA [****] flash.**
Change SET DATA into [0001] with [▽] [△] setting button.



- 5 Push OFF timer button to complete the setup.**
- 6 Push ON / OFF button to finish the settings. (return to the normal mode)**
“SETTING” flashes and then the display content disappears and the air conditioner enters the normal stop mode.
(The Remote controller is unavailable while “SETTING” is flashing.)

⚠ CAUTION

For model that “CODE No. [1d0]” is not available, the software of that model doesn't supported. Must be set up 8 CODE No. refer to table page 6.

4. Other descriptions

■ Check after installation

- Check again there is no clearance between the indoor unit and the ceiling panel, and between the ceiling panel and the ceiling surface.
 - * A clearance causes water leak or dewing.
- Check the cables are connected surely.
 - * Incomplete connection causes such a trouble as the louver does not work.
- Failure to fit some claws cause dew drops.

■ For Wireless receiver kit

- For details of installation, refer to the Installation Manual attached to the Wireless receiver kit (sold separately).

■ For Air purifier kit

- For details of installation, refer to the Installation Manual attached to Air purifier kit (sold separately).

■ For Occupancy sensor kit

- For details of installation, refer to the Installation Manual attached to Occupancy sensor kit (sold separately).
 - ※ This product (Occupancy sensor kit) cannot be used together with the Wireless receiver kit and Air purifier kit.

Delivery to the customer

- After confirmation of the above items, hand a set of this manual, manuals for the indoor unit, manual for products sold separately to the customer.
 - For cleaning of the filter, ask the maintenance professional.
-