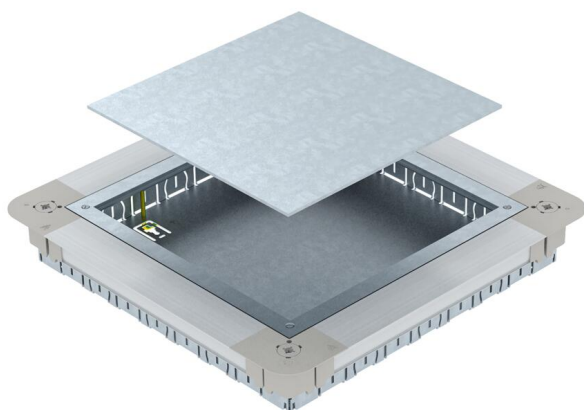


Technical data sheet

UGD250-3 underfloor box for GES9/55

Item number: 7410060



Underfloor accessory box with mounting lid and lid blanking plate with sheet steel side walls. For the installation of a square GES9 55 service outlet in screed heights of 55 mm or more. Height can be infinitely adjusted to the nominal screed height and the screed can be worked flush to the screed scraping edge. With 7 x M20, 3 x M25, 4 x M32 pipe insertion openings on each side. Usable pipe size at a system height of 55 mm: M20.



St Steel

FS Strip galvanized

Master data

| | |
|-----------------------------------|--------------------------|
| Item number | 7410060 |
| Description 1 | Underfloor box empty |
| Description 2 | for GES9/55UV |
| Manufacturer | OBO |
| Dimension | 367x367x55 |
| Material | Steel |
| Surface | Strip galvanized |
| Surface standard | DIN EN 10346 |
| Smallest sales unit | 1 |
| Unit of quantity | Piece |
| Weight | 430 kg |
| Weight unit | kg/100 pc. |
| CO Footprint (GWP) Cradle-to-Gate | 13,5702 kg COe / 1 Piece |

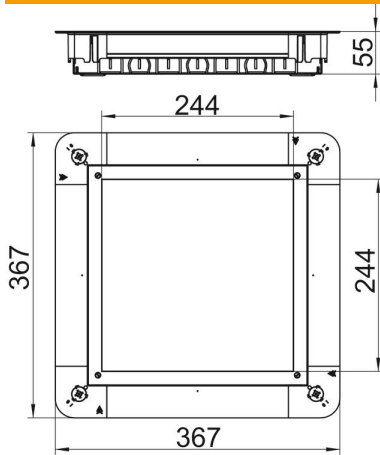
Technical data sheet

UGD250-3 underfloor box for GES9/55

Item number: 7410060



Dimensions



| | |
|-------------|--------|
| Dimension a | 244 mm |
| Dimension A | 367 mm |
| Dimension B | 367 mm |
| Dimension b | 244 mm |
| Dimension h | 55 mm |

Technical data

| | |
|---|---------------------------------|
| Expansion option | For installation of accessories |
| Floor plate | yes |
| Lowerable to be flush-floor | yes |
| Floor care | Dry |
| Cover version | Square |
| Seal installation option | no |
| Installation opening for on-floor tank | no |
| Installation opening for flush-mount unit | Square |
| Decouplable | no |
| Screed height, max. | 80 mm |
| Screed height, min. | 55 mm |
| For pipe connection | yes |
| Suitable for screed-flush closed underfloor ducts | no |
| Suitable for screed-covered underfloor ducts | no |
| Suitable for underfloor ducts | no |
| Trunking width, max. | 250 mm |
| Trunking width, min. | 190 mm |
| Nominal size | 250 mm |
| Nominal size for device installation units | 9 |
| Height-adjustment range, max. | 80 mm |
| Height-adjustment range, min. | 55 mm |