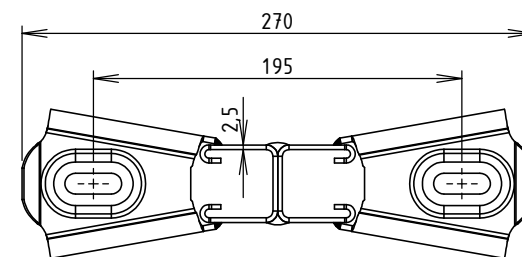
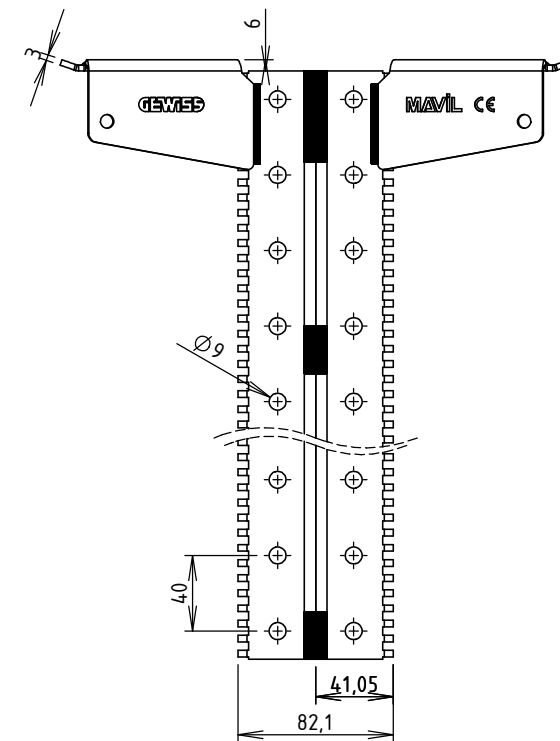
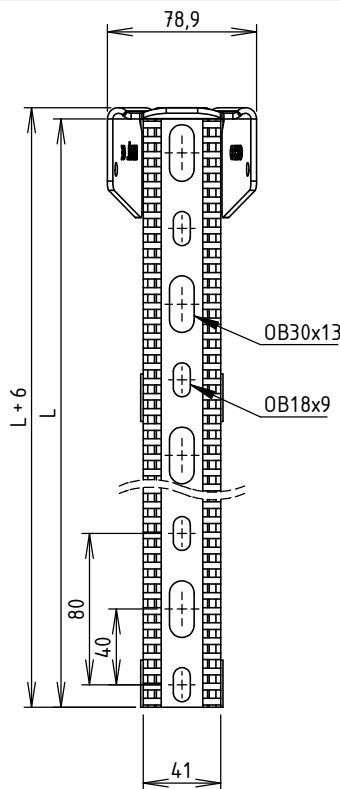
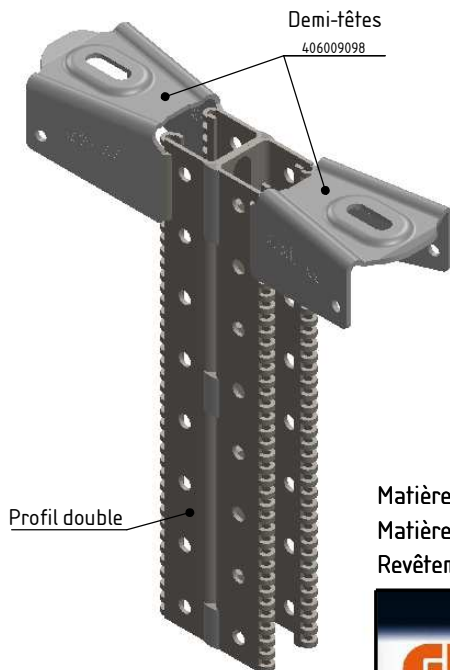


CODE	L (mm)	COLISAGE (NR)	POIDS NET (Kg)
MV81265	550	6	3.302
MV81266	630	6	3.678
MV81267	710	6	4.055
MV81268	790	6	4.432
MV81269	870	6	4.815
MV81270	950	6	5.192
MV81271	1030	6	5.568
MV81272	1110	6	5.945
MV81273	1190	2	6.327
MV81274	1270	2	6.704
MV81275	1350	2	7.081
MV81276	1430	2	7.446
MV81277	1510	2	7.840
MV81278	1590	2	8.217
MV81279	1670	2	8.594
MV81280	1750	2	8.976
MV81281	1830	2	9.352
MV81282	1910	2	9.729
MV81283	1990	2	10.112
MV81284	2070	2	10.489
MV81285	2150	2	10.866
MV81286	2230	2	11.242
MV81287	2310	2	11.624
MV81288	2390	2	12.001
MV81289	2470	2	12.378
MV81290	2550	2	12.761
MV81291	2630	2	13.137
MV81292	2710	2	13.514
MV81293	2790	2	13.891
MV81294	2870	2	14.273
MV81295	2950	2	14.650
MV81296	3030	2	15.026



Matière profil: BANDE REFENDUE 2.50 S235 JR
 Matière demi-tête: BANDE REFENDUE 3.00 S235 JR
 Revêtement: GAC - NF EN ISO 1461

<p>Usine de Liernais BP 1 21430 LIERNAIS TEL.: 03.80.90.51.00 FAX: 03.80.84.43.66</p>	DESIGNATION:			PENDARD MAVISTRUT 41x41D GAC	
	DESSINE PAR:	BERGEROT D.	VERIFIE PAR:		LEGUY C.
	DATE:	21/07/2017	ECHELLE:		1:4
	N°:	MV81265 à MV81296_02			

FORMAT A4 H