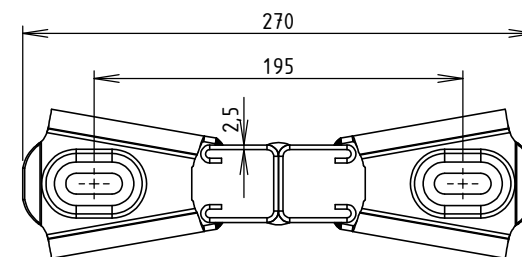
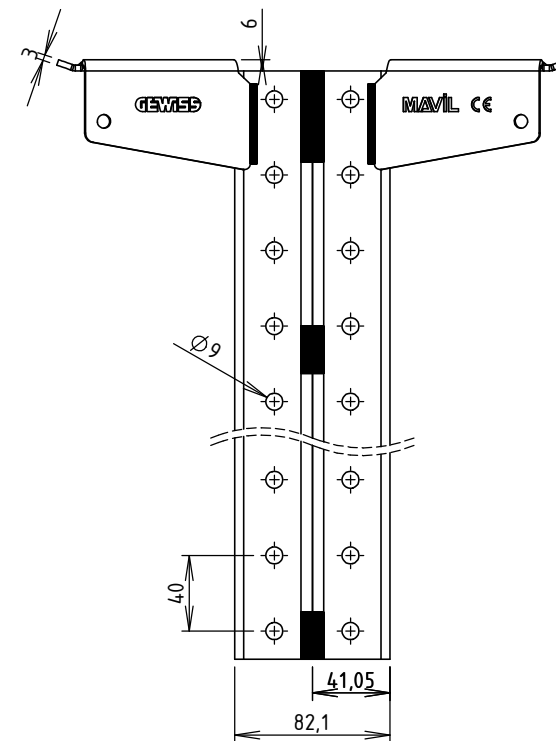
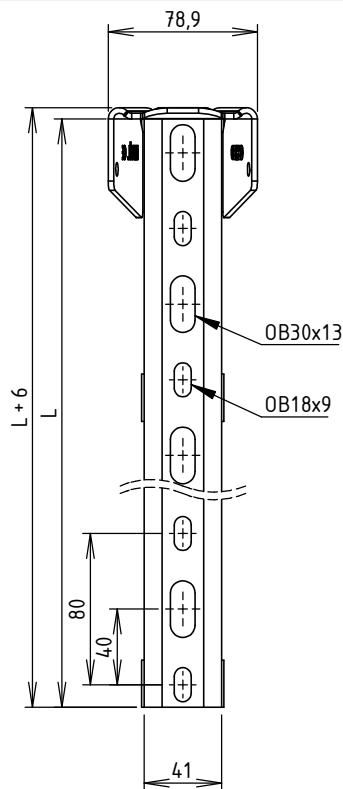
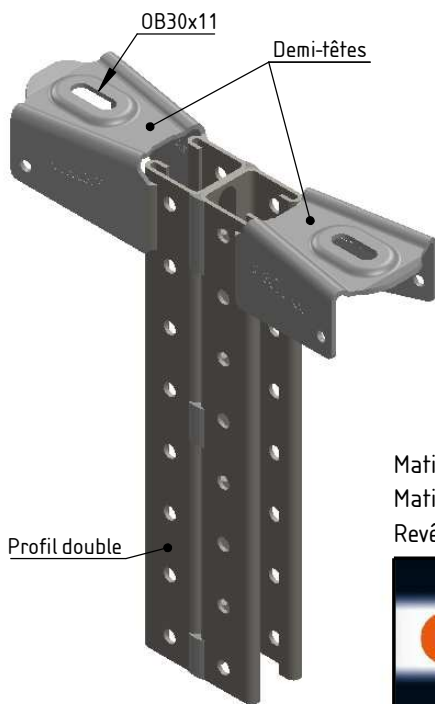


CODE	L (mm)	COLISAGE (NR)	POIDS NET (Kg)
MV80265	550	6	3.631
MV80266	630	6	4.055
MV80267	710	6	4.480
MV80268	790	6	4.905
MV80269	870	6	5.336
MV80270	950	6	5.761
MV80271	1030	6	6.185
MV80272	1110	6	6.610
MV80273	1190	2	7.040
MV80274	1270	2	7.465
MV80275	1350	2	7.890
MV80276	1430	2	8.320
MV80277	1510	2	8.745
MV80278	1590	2	9.170
MV80279	1670	2	9.595
MV80280	1750	2	10.025
MV80281	1830	2	10.449
MV80282	1910	2	10.874
MV80283	1990	2	11.305
MV80284	2070	2	11.730
MV80285	2150	2	12.155
MV80286	2230	2	12.579
MV80287	2310	2	13.009
MV80288	2390	2	13.434
MV80289	2470	2	13.859
MV80290	2550	2	14.290
MV80291	2630	2	14.714
MV80292	2710	2	15.139
MV80293	2790	2	15.564
MV80294	2870	2	15.994
MV80295	2950	2	16.419
MV80296	3030	2	16.843



Matière profil: BANDE REFENDUE 2.50 S235 JR  
 Matière demi-tête: BANDE REFENDUE 3.00 S235 JR  
 Revêtement: GAC - NF EN ISO 1461

	DESIGNATION:				
	PENDARD STRUT 41x41D GAC				
Usine de Liernais BP 1 21430 LIERNAIS TEL.: 03.80.90.51.00 FAX: 03.80.84.43.66	DESSINE PAR:	BERGEROT D.	VERIFIE PAR:	LEGUY C.	FORMAT A4 H
	DATE:	20/07/2017	ECHELLE:	1:4	
	N°:	MV80265 à MV80296_02			