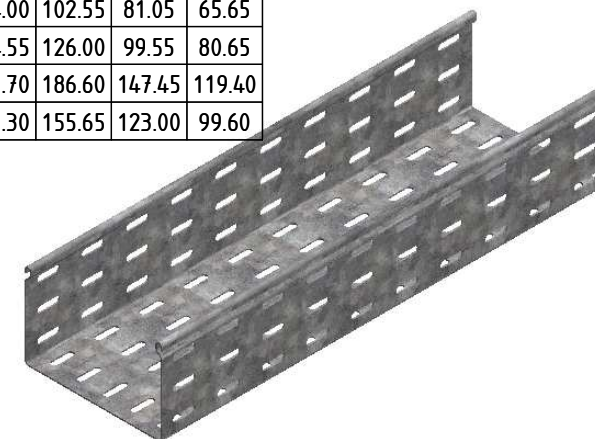
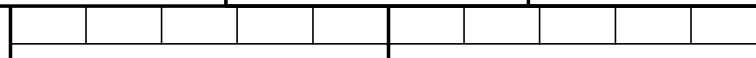


CODE	REF.	LARG. (mm)	POIDS NET (Kg)	POIDS NET (Kg/m)	COLISAGE (m)	CPS (daN/m)				
						Portée (m)				
						1.50	1.75	2.00	2.25	2.50
MVH0013ND	95 BRN95 HL	93.8	9.775	3.258	6	90.60	66.55	50.95	40.25	32.60
MVH0013NF	155 BRN95 HL	153.8	11.706	3.902	6	151.90	111.60	85.45	67.50	54.70
MVH0013NH	215 BRN95 HL	213.8	13.637	4.546	3	176.10	129.40	99.10	78.30	63.40
MVH0013NL	305 BRN95 HL	303.8	16.533	5.511	3	182.35	134.00	102.55	81.05	65.65
MVH0013NP	395 BRN95 HL	393.8	19.330	6.443	3	224.00	164.55	126.00	99.55	80.65
MVH0013NU	515 BRN95 HL	513.8	23.294	7.765	3	331.70	243.70	186.60	147.45	119.40
MVH0013NX	605 BRN95 HL	603.8	26.190	8.730	3	276.75	203.30	155.65	123.00	99.60

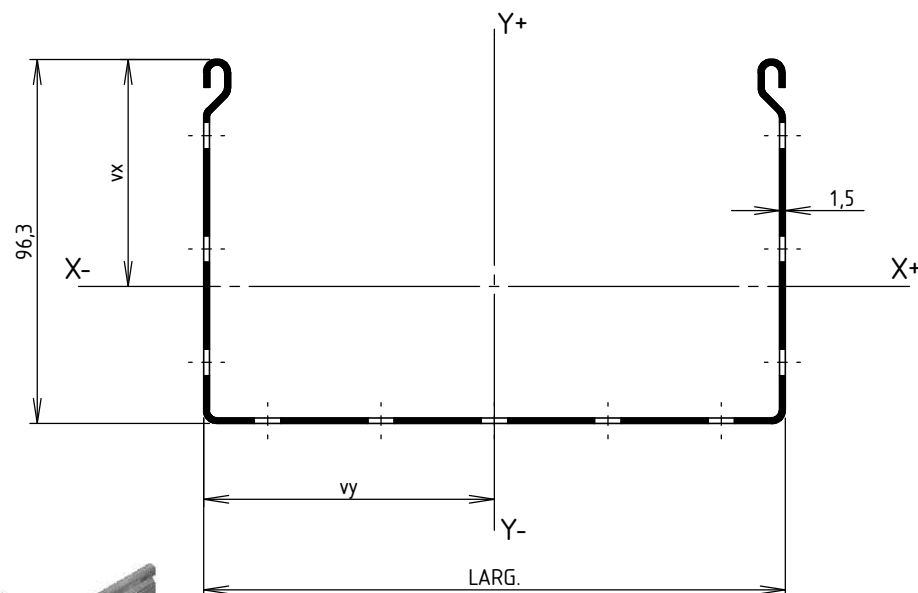


Matière: BOBINE 1.50 S250GD + Z275
 Revêtement: Z275 - NF EN 10346
 CPS: Charge pratique de sécurité - NF EN 61537

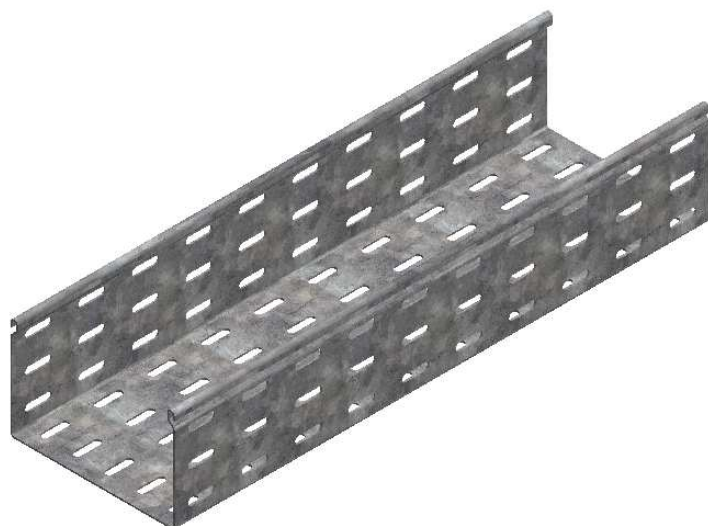
 Usine de Liernais BP 1 21430 LIERNAIS TEL.: 03.80.90.51.00 FAX: 03.80.84.43.66	DESIGNATION:		CC BRN95 HL Z275	
	DESSINE PAR:	BERGEROT D.	VERIFIE PAR:	LEGUY C.
	DATE:	11/10/2017	ECHELLE:	1:3
	N°:	MVH0013ND à MVH0013NX		





CODE	REF.	LARG. (mm)	POIDS NET (Kg)	POIDS NET (Kg/m)	vx (mm)	vy (mm)	S (mm ²)	Ixx (mm ⁴)	Iyy (mm ⁴)	Ixx/vx (mm ³)	Iyy/vy (mm ³)
MVH0013ND	95 BRN95 HL	93.8	9.775	3.258	57.28	46.9	359.27	443165.73	597137.18	7737.10	12732.14
MVH0013NF	155 BRN95 HL	153.8	11.706	3.902	63.45	76.9	428.27	528008.21	1777119.35	8322.30	23109.48
MVH0013NH	215 BRN95 HL	213.8	13.637	4.546	67.90	106.9	497.27	589309.02	3727980.60	8678.82	34873.53
MVH0013NL	305 BRN95 HL	303.8	16.533	5.511	72.67	151.9	600.77	654863.55	8371358.25	9011.84	55110.98
MVH0013NP	395 BRN95 HL	393.8	19.330	6.443	76.03	196.9	704.27	701155.80	15447838.83	9221.97	78455.25
MVH0013NU	515 BRN95 HL	513.8	23.294	7.765	79.23	256.9	842.27	745188.60	29392473.04	9405.27	114412.12
MVH0013NX	605 BRN95 HL	603.8	26.190	8.730	81.02	301.9	945.77	769785.37	43776318.77	9501.41	145002.71



Matière: BOBINE 1.50 S250GD + Z275
 Revêtement: Z275 - NF EN 10346



  Usine de Liernais BP 1 21430 LIERNAIS TEL.: 03.80.90.51.00 FAX: 03.80.84.43.66	DESIGNATION:		CC BRN95 HL Z275 INERTIE	
	DESSINE PAR:	BERGEROT D.	VERIFIE PAR:	LEGUY C.
	DATE:	11/10/2017	ECHELLE:	1:2
	N°:	MVH0013ND à MVH0013NX		