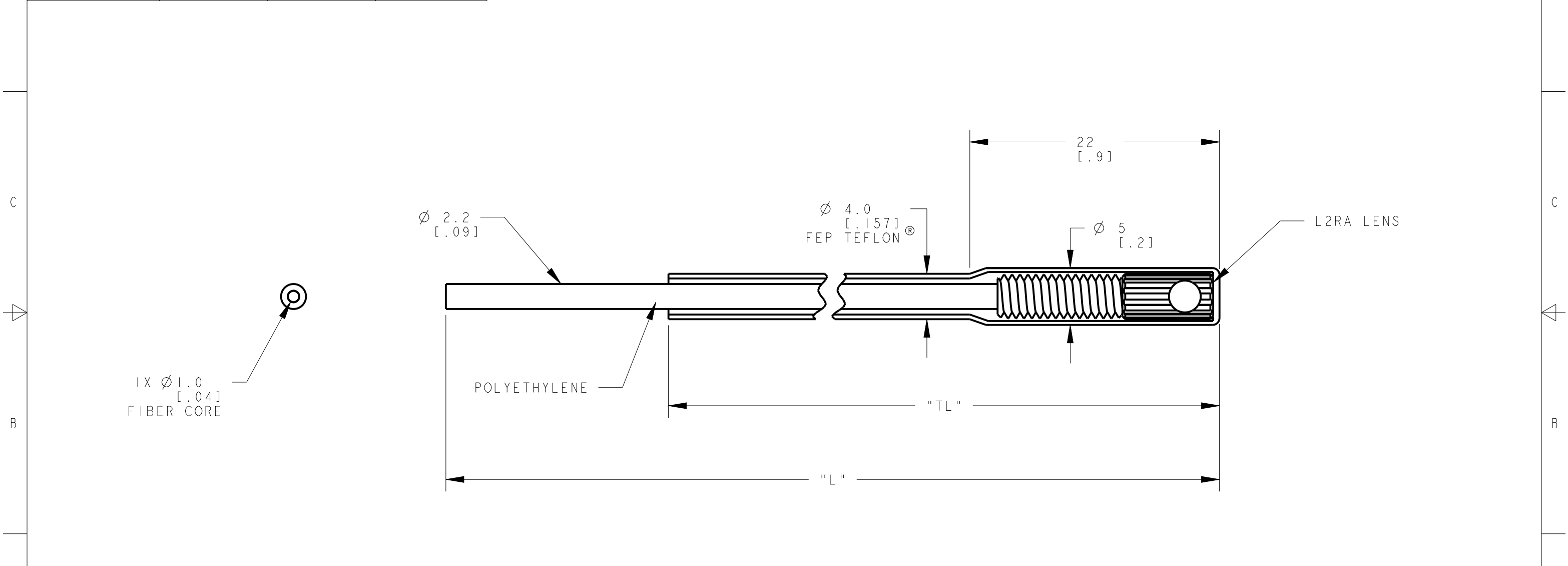
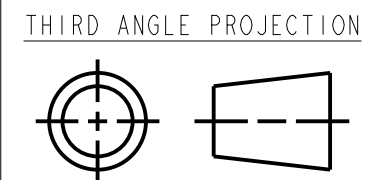


MODEL NO.	"L"	"TL"	P/N
PIES430UTMTL2.4	10000 [394]	2439 [96]	76175
PIES49.3UT	3000 [118]	2819 [111]	72700
PIES46UT	2000 [79]	1829 [72]	51758



NOTES:
 1. ALL DIMENSIONS ARE MILLIMETERS [INCHES] UNLESS OTHERWISE NOTED.
 2. REFER TO "www.bannerengineering.com" FOR ADDITIONAL DATA AND SPECIFICATIONS.

This drawing is the property of BANNER ENGINEERING CORP. Any use or reproduction, in any form, without prior written permission of Banner is prohibited. © 2015 Banner Engineering Corp.



BANNER BANNER ENGINEERING CORP.
 www.bannerengineering.com

TITLE
PIES4 TEFLON SERIES UNTERMINATED

SIZE B DRAWING NO. **166401** REV. **A**

SCALE 3:1 SHEET 1 OF 1

CREO